

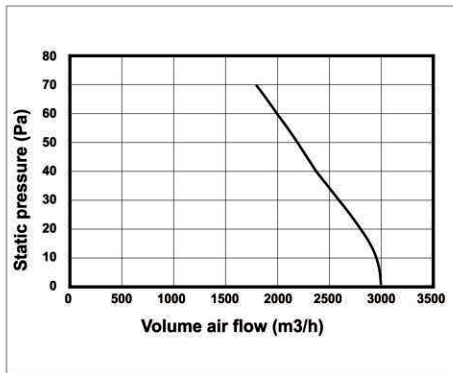
ERM



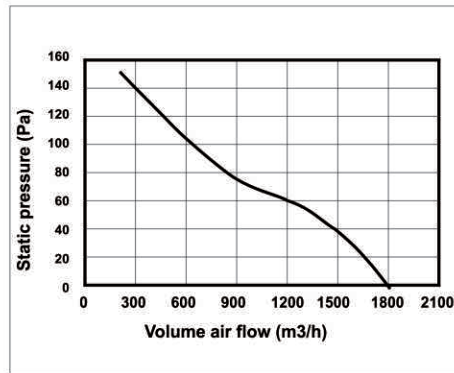
ERM

**Applications:**  
Condenser, Evaporator  
Cold Rooms, Ducts, Tele Packs  
General Purpose

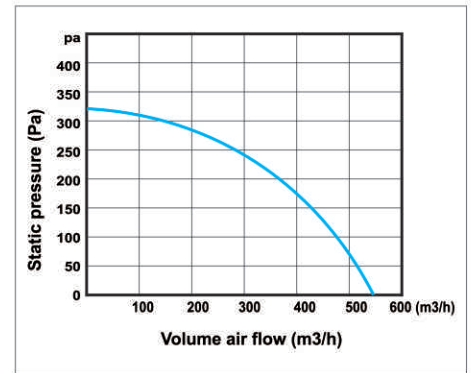
# ERM



**MERM35-92B35A/2L-XXXX**

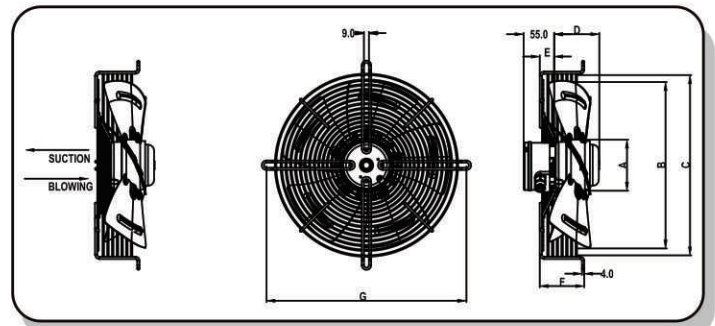
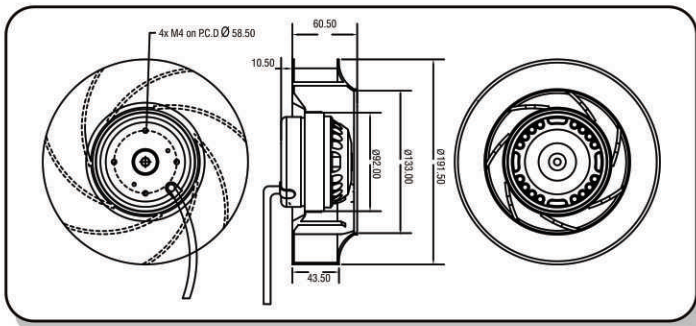


**MERM30-92B25A/2L-XXXX**



**MERM92B18A/2L-XXXX**

ERM								
ELECTRICAL PERFORMANCE								
MODEL NO	ELECTRICAL SOURCE			OPERATING POINT				
	VOLTAGE	FREQ	CURRENT	INPUT	SPEED	AIR VOL.	CAP.	OUTPUT
	V	Hz	A	W	RPM	m <sup>3</sup> /h	μF	W
<b>ERM FAN</b>								
MERM30-92B25A/2L-XXXX	230 V	50Hz	0.34	80	1350	1800	2.5	—
MERM35-92B35A/2L-XXXX	230 V	50Hz	0.7	150	1380	2980	5.0	—
<b>BACKWARD CURVE BLOWER</b>								
MERM92B18A/2L-XXXX	115 V	60Hz	0.70	75.0	2600	—	6.0	—
<b>ERM MOTOR</b>								
92B25A/2L-XXXX	230 V	50Hz	0.34	80	1350	1220	2.5	45
92B35A/2L-XXXX	230 V	50Hz	0.65	150	1350	2270	5.0	80



Mechanical Dimension							
Model No.	A	B	C	D	E	F	G
MERM30-92B25A/2L-XXXX	92	300	325	—	30	80	360
MERM35-92B35A/2L-XXXX	92	350	375	—	40	90	422

