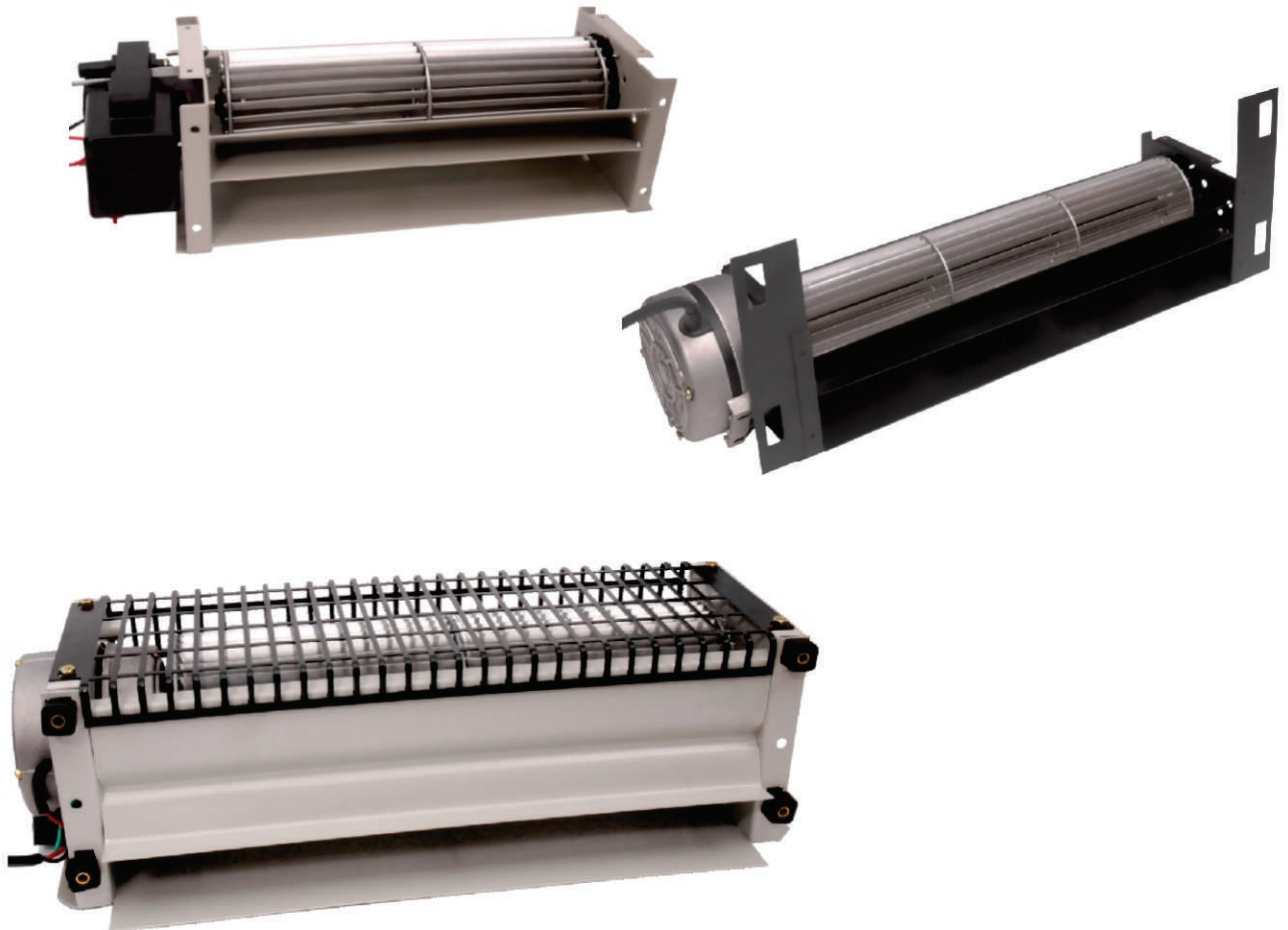


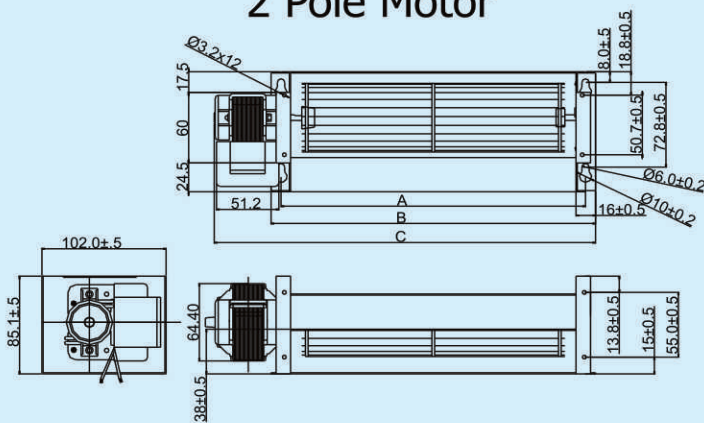
# CROSS FLOW BLOWER



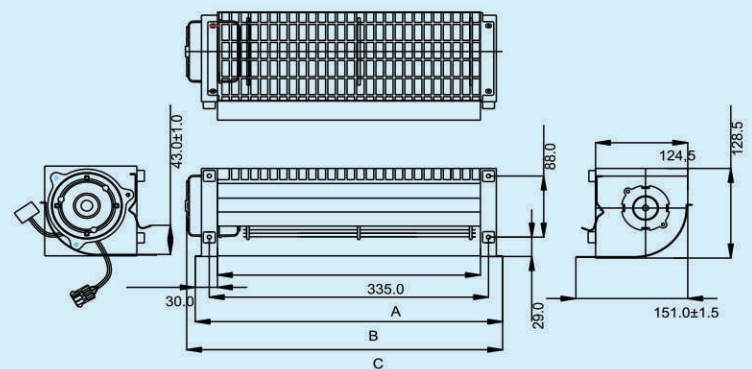
CROSS FLOW BLOWER



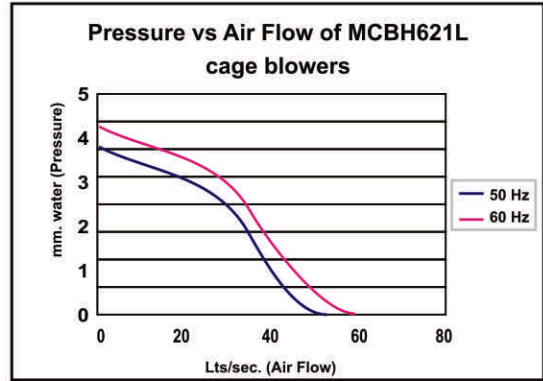
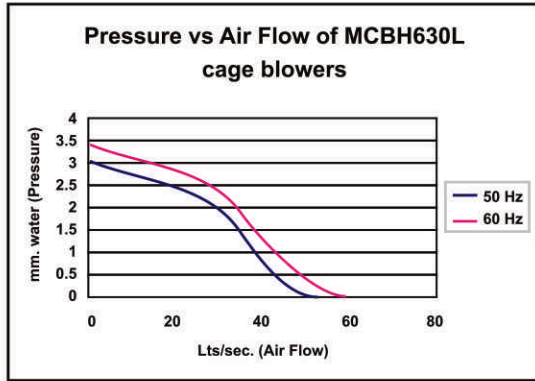
2 Pole Motor



4 Pole Motor



# Cross Flow Blower



## SPECIFICATIONS

MODEL NO.	OPERATING VOLTAGE	POWER (ON LOAD) TYP	RPM (ON LOAD)	LVS MAX.	MAX. PRESSURE MM.WATER	FREE AIRFLOW LITERS/SEC
MCBH621L/2L-F6A	230V	34W	1800 min.	140 V	3.5	60
MCBH621L/2L-G3B	230V	24W	1300 min.	140 V	2.8	44
MCBH630L/2L-F6A	230V	38W	1500 min.	140 V	3.1	55
MCBH630L/2L-G3B	230V	28W	1300 min.	140 V	3.0	50
MCBH1031L/2L-E3	230V	33W	1250 min.	120 V	-	120

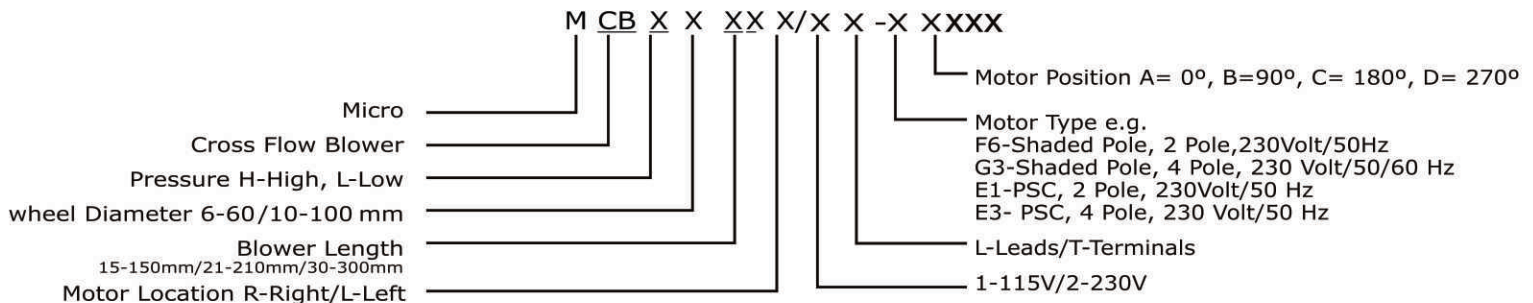
## SPECIFICATIONS(MECHANICAL)

MODEL NO.	A	B	C
MCBH621L/2L-F6A	242.5±1.0mm	259±1.0 mm	310±1.0mm
MCBH621L/2L-G3B	242.5±1.0mm	352±1.0 mm	312±1.0mm
MCBH630L/2L-F6A	336±1.0mm	352±1.0 mm	402±1.0mm
MCBH630L/2L-G3B	336±1.0mm	259±1.0 mm	405±1.0mm
MCBH1031L/2L-E3	377±1.0mm	415±1.0 mm	425±1.5mm

## ENVIRONMENTAL

Temperature	-10 to 60° C
Humidity	45±5° C, 90±5% RH, 168 hours
Drop test	50 cm in original packing
Vibration	10 minutes/plane, 15Hz, 2 mm amplitude
Bump test	2000 bumps, 40G, 2-3 bumps/sec.

DIELECTRIC STRENGTH	1500V/1minute/1mA
INSULATION RESISTANCE	500 V DC/100 MΩ
INSULATION CLASS	B



**MICRO INSTRUMENTS CO.**

8, Industrial Area, Ambala Cantt India - 133 006, Phones : +91-171- 2699935/2699529/2698043  
Fax : +91-171-2699008/2699221 E-mail: micro1@vsnl.com , Web Site : www.microinstrumentsco.com