

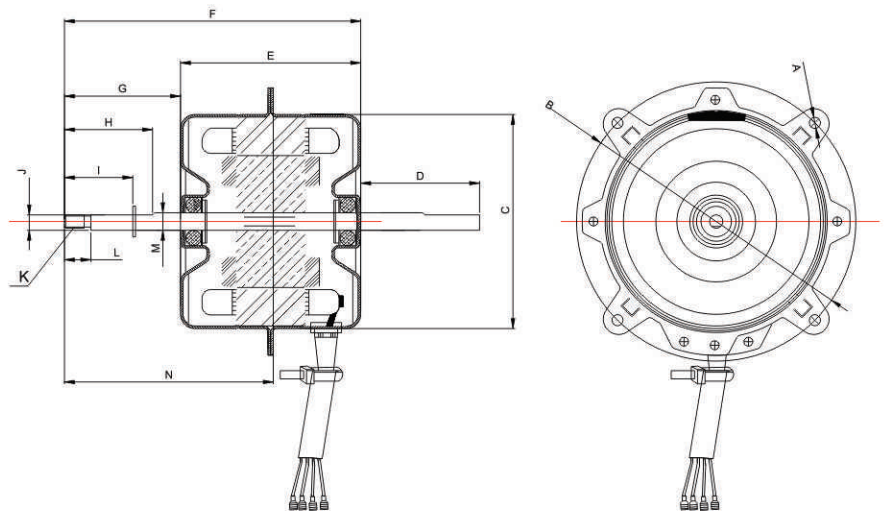


BLDC DIA 95 MOTOR



BLDC DIA 95 MOTOR

Applications
 Desert Cooler
 Air Conditioner
 ODU
 Blowers &
 General Purpose



M E C H A N I C A L D I M E N S I O N S

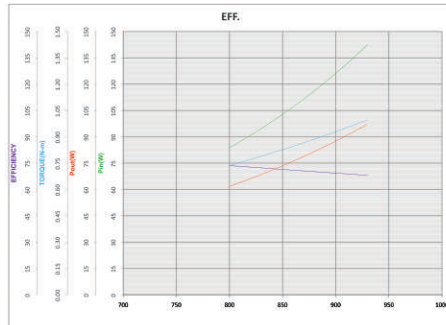
Model No.	A	b	C	D	E	F	G	H	I	J	K	L	M	N
MEC195B25C/2AL-SJ7	ø 5.0	127	97.5	—	82	159.5	78	37.5	41	6.9	M6, L.H.	11	8	120
MEC195B30A/2AL-SK1	ø 5.0	127	97.5	—	82	159.5	78	37.5	41	6.9	M6, L.H.	11	8	120
MEC195B30A/2AL-SK2	ø 5.0	127	97.5	95	82	272	190	56	44	11.5	—	—	12.7	...

BLDC DIA 95 MOTOR

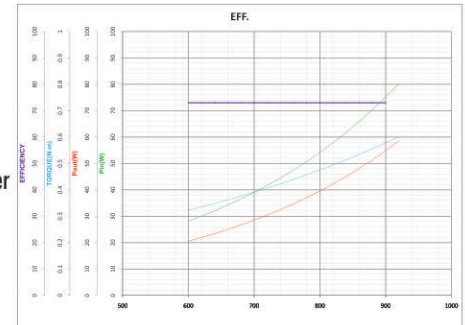
ELECTRICAL PERFORMANCE

MODEL NO.	FAN SIZES	OPERATING VOLTAGE/ FREQ.	RPM	OUTPUT POWER	INPUT CURRENT	INPUT POWER	CONSTANT RPM (VOLTAGE RANGE)	EFF.
MEC195B25C/2AL-SJ7	17.5", 3 BLADE/ 20" O.D.U.	230/50	900	54	0.57	74	180V - 270V	73%
MEC195B30A/2AL-SK1	18", 3 BLADE/ 26" O.D.U.	230/50	850	80	0.85	113	190V - 270V	71%
	20", 3 BLADE/O.D.U.	230/50	700	65	0.69	89	180V - 270V	73%
MEC195B30A/2AL-SK2	1.5 Ton W.A.C.	230/50	920	94	1.07	138	210V - 270V	68%
			880	80	0.90	115	200V - 270V	70%
			840	70	0.77	99	190V - 270V	70%

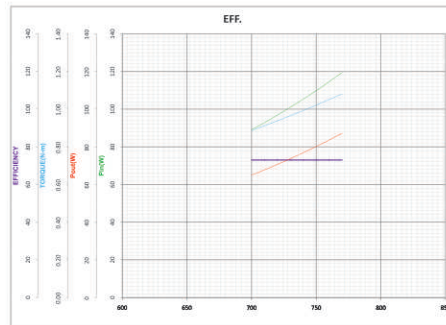
MEC195B30A/2AL-SK2
Load 1.5 Ton W.A.C.



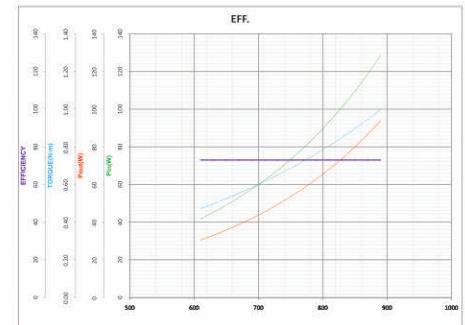
MEC195B25C/2AL-SJ7
Load 17.5", 3 Blade Impeller



MEC195B30A/2AL-SK1
Load 20", 3 Blade Impeller



MEC195B30A/2AL-SK1
Load 18", 3 Blade Impeller



MOTOR OPERATING PARAMETERS

Operating Voltage : $150V \leq V_{in} \leq 265V$
 Motor Trip Voltage : $< 160, > 270V$
 Over Load Trip Current : Factory Set
 RPM vs Voltage : Constant RPM
 Time Delay to Start : ≤ 5 Sec.
 Delays : Remote Sensing Start Delay and Full Speed
 are Achieved in Factory Set Delays
 Operating Temp. : $-10^{\circ}C$ to $+55^{\circ}C$
 Humidity : $\leq 95\%RH@50^{\circ}C$

OPTIONAL FEATURES

Switch/Remote Adjustable Speed Control
 Thermal Protection
 Soft Start for Reducing Inrush Current
 Interchangeable use of Remote and Switches
 Last Speed Saved
 Last Information Saved During Power Failure
 for Speed, Pump and Swing
 Auto Turn ON when Power Resumed

SAFETY PARAMETERS

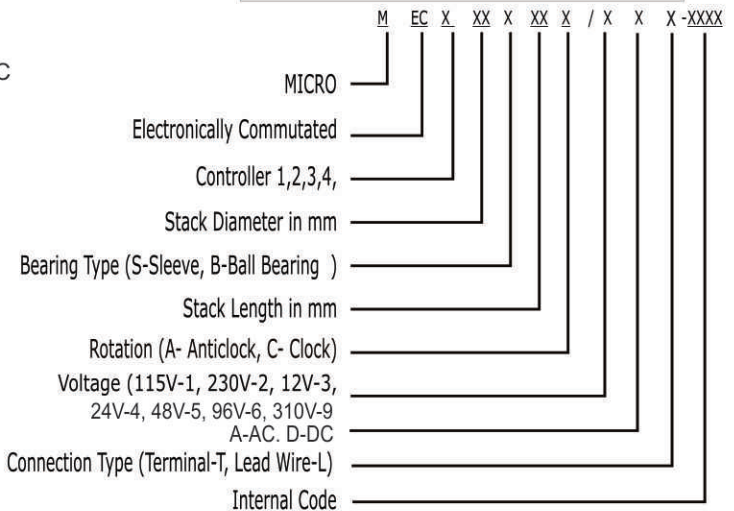
Class-B Insulation
 Insulation Resistance $> 10M\Omega@500V$ DC
 HVAC : $1500VAC, < 5mA$

REMOTE FEATURES

ON/OFF Switch
 Pump ON/OFF
 Swing ON/OFF
 LED Signals for Speeds, Pump, Swing

PROTECTIONS

Auto Power down for Locked Rotor
 Current Based Trip : Factory Set
 Over/Under Voltage Protection
 3 Trials of Auto Restart before Shut Down
 HVAC : $1500VAC, < 5mA$



BLDC DIA 95 17



MICRO INSTRUMENTS CO.

8, Industrial Area, Ambala Cantt India - 133 006, Phones : +91-171- 2699935/2699529/2698043
 Fax : +91-171-2699008/2699221 E-mail: micro1@vsnl.com , Web Site : www.microinstrumentsco.com