



BLDC DIA 87 MOTOR

BLDC DIA 87 MOTOR



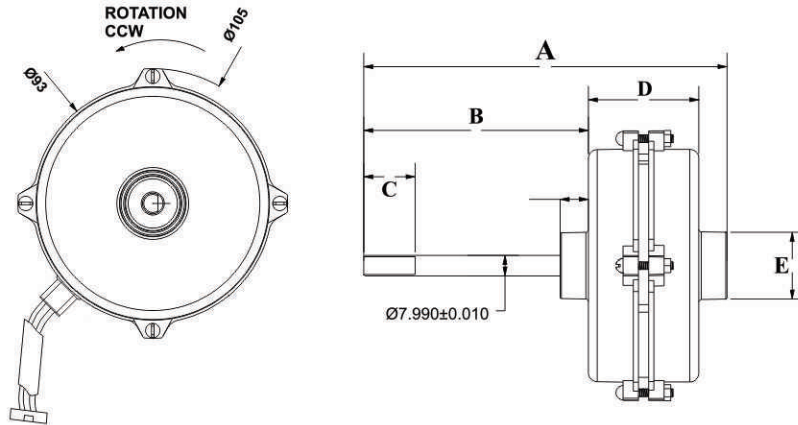
- Applications**
Condenser, Evaporator
Refrigerators Condenser
Visicoolers
Condenser
Evaporator
IDU, TPW, Exhaust Fan
General Purpose

BLDC DIA 87 MOTOR

ELECTRICAL PERFORMANCE

CONTROLLER-MCON003

MODEL NO	VOLTAGE	FREQ	INPUT	OUTPUT	SPEED	TORQUE	EFF	LOAD
MEC187B15A/9DL-JF1	310V DC	-	36	25	1400/1300/1200	1740	70%	IDU
MEC187B15A/9DL-JF2	310V DC	-	26	18	1250/1180/1100	1400	70%	IDU
MEC187B15A/5DL-JF3	48V DC	-	32	23	1300/1220/1160	1723	70%	IDU
MEC187B15C/2DL-JF4	230V AC	50-60 Hz	35	24.5	1350/1250/1150	1770	70%	TPW
MEC187B15C/2DL-JF5	230V AC	50-60 Hz	20	14	1350/1250/1150	1010	70%	IDU
MEC187B25A/2DL-JJ1	230V AC	50-60 Hz	40	28	1500/1400/1300	1820	70%	IDU



MECHANICAL DIMENSION

	A	B	C	D	E
MEC187B15A/9DL-JF1	101	50	20	43	26
MEC187B15A/9DL-JF2	165	100	25	43	26
MEC187B15A/5DL-JF3	165	100	25	43	26
MEC187B15C/2DL-JF4	101	50	20	43	26
MEC187B15C/2DL-JF5	165	100	25	43	-
MEC187B25A/2DL-JJ1	175	175	25	60	33.5

MOTOR OPERATING PARAMETERS

Operating Voltage : $150V \leq V_{in} \leq 265V$
 Motor Trip Voltage : $< 160, > 270 V$
 Over Load Trip Current : Factory Set
 RPM vs Voltage : Constant RPM
 Time Delay to Start : $\leq 5 \text{ Sec.}$
 Delays : Remote Sensing Start Delay and Full Speed
 are Achieved in Factory Set Delays
 Operating Temp. : -10°C to $+55^{\circ}\text{C}$
 Humidity : $\leq 95\% \text{RH}@50^{\circ}\text{C}$

OPTIONAL FEATURES

Switch/Remote Adjustable Speed Control
 Thermal Protection
 Soft Start for Reducing Inrush Current
 Interchangeable use of Remote and Switches
 Last Speed Saved
 Last Information Saved During Power Failure
 for Speed, Pump and Swing
 Auto Turn ON when Power Resumed

SAFETY PARAMETERS

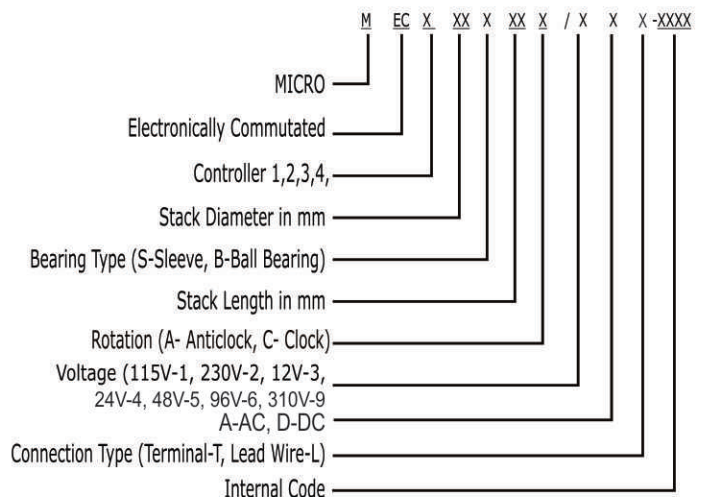
Class-B Insulation
 Insulation Resistance $> 10\text{M}\Omega@500V \text{ DC}$
 HVAC : $1500\text{VAC}, < 5\text{mA}$

REMOTE FEATURES

ON/OFF Switch
 Pump ON/OFF
 Swing ON/OFF
 LED Signals for Speeds, Pump, Swing

PROTECTIONS

Auto Power down for Locked Rotor
 Current Based Trip : Factory Set
 Over/Under Voltage Protection
 3 Trials of Auto Restart before Shut Down
 HVAC : $1500\text{VAC}, < 5\text{mA}$



BLDC DIA 87 17



MICRO INSTRUMENTS CO.

8, Industrial Area, Ambala Cantt India - 133 006, Phones : +91-171- 2699935/2699529/2698043
 Fax : +91-171-2699008/2699221 E-mail: micro1@vsnl.com , Web Site : www.microinstrumentsco.com